

Evolution 2

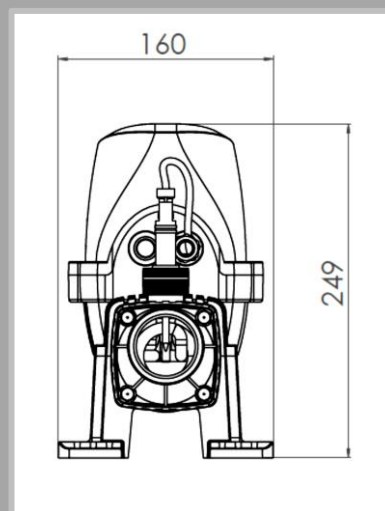
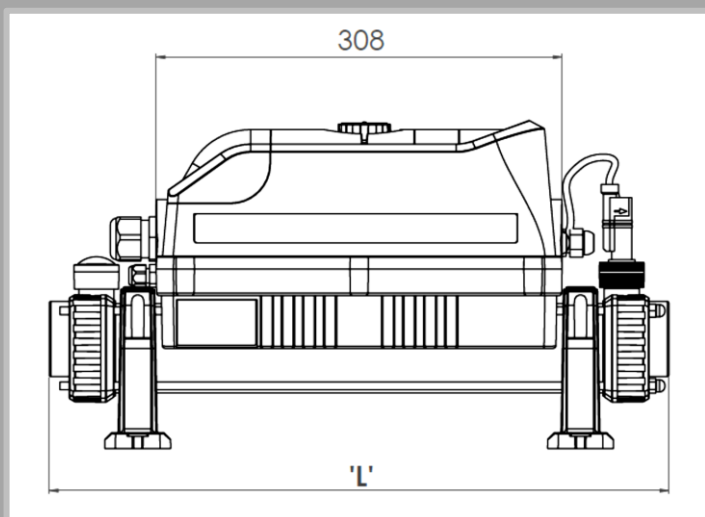
Evolution 2 provides efficiency, safety and above all reliability to effortlessly heat your pool to the desired temperature.

PRODUCT OVERVIEW

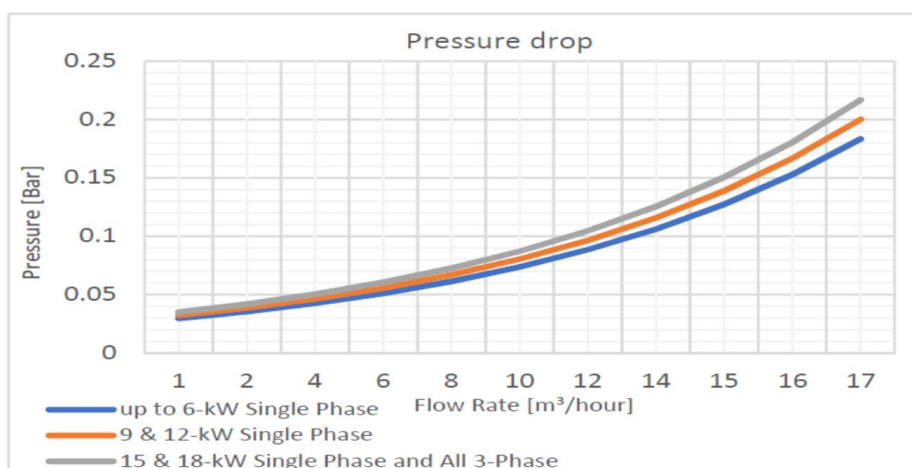
- Eight power options ranging from 2-kW to 24-kW
- Analogue or digital encoder control
- Vortex, long life, stay clean heating element technology
- Easy to install, fully equipped and pre-wired
- Robust, durable construction
- Titanium or incoloy 825 heating elements
- AISI 316 stainless steel or titanium flow tube
- Accuracy 1.2°C for analogue and 0.5°C for digital models
- Can be floor or vertically wall mounted
- Silent Operation
- RCD safety trip circuit
- 100% efficiency throughout the product life



TECHNICAL DRAWINGS



PRESSURE DROP



SPECIFICATIONS

Power Supply:	Single phase or three phase
Flow Requirements:	Minimum flow: 2-kW to 6-kW = 1m ³ /h Minimum flow: 9-kW to 24-kW = 4m ³ /h Maximum flow = 17m ³ /h
Heating Elements:	Titanium or Incoloy 825
Flow Tubes:	BS 316L stainless steel or titanium
Control Thermostat:	Analogue: 0 > 45°C (1°C differential) Digital: 0 > 45°C (0.5°C differential)
Safety Thermal Cut Out:	60°C (manual reset)
Flow Switch:	Gold tipped reed switch with titanium fulcrum pin
Seals:	Special formula high temperature polymer
Water Connections:	1.5" BSP female thread supplied with 1½" to 50mm ABS unions for rigid pipe and 1½" or 1¼" hose tails for flexible pipe
Ingress Protection Rating:	IP44
Working Pressure:	4 bar maximum
Mounting:	Floor or wall mounting
Standards Compliance:	European Electromagnetic Compatibility directive 89/336/EEC and 93/068/EEC
Harmonised Standards:	EN 55014 – EN55104, EN 5501, EN 5502, CEI 801-4, CEI 801-2, CEI 801-3 The European Low Voltage Directive 72/23/EEC The Harmonised Standard EN 60335-2-35

220-240V 1 Phase	Load	Product Codes:						Dimension 'L'	Net Weight	Gross Weight
Power Output	[Amp]	Stainless Steel Flow Tube With Incoloy 825 Elements		Stainless Steel Flow Tube With Titanium Elements		Stainless Steel Flow Tube With Titanium Elements		[mm]	[kg]	[kg]
		ANALOGUE	DIGITAL	ANALOGUE	DIGITAL	ANALOGUE	DIGITAL			
2-kW	9	E2I-1-2	E2ID-1-2	E2-1-2	E2D-1-2	E2P-1-2	E2PD-1-2	462		
3-kW	13	E2I-1-3	E2ID-1-3	E2-1-3	E2D-1-3	E2P-1-3	E2PD-1-3	462		
4.5-kW	20	E2I-1-4	E2ID-1-4	E2-1-4	E2D-1-4	E2P-1-4	E2PD-1-4	462		
6-kW	27	E2I-1-6	E2ID-1-6	E2-1-6	E2D-1-6	E2P-1-6	E2PD-1-6	462		
9-kW	40	E2I-1-9	E2ID-1-9	E2-1-9	E2D-1-9	E2P-1-9	E2PD-1-9	462		
12-kW	53	E2I-1-12	E2ID-1-12	E2-1-12	E2D-1-12	E2P-1-12	E2PD-1-12	462		
15-kW	66	E2I-1-15	E2ID-1-15	E2-1-15	E2D-1-15	E2P-1-15	E2PD-1-15	592		
18-kW	79	E2I-1-18	E2ID-1-18	E2-1-18	E2D-1-18	E2P-1-18	E2PD-1-18	592		

220-240V/ 380-415V	Load	Product Codes:						Dimension 'L'	Net Weight	Gross Weight
Power Output	[Amp]	Stainless Steel Flow Tube With Incoloy 825 Elements		Stainless Steel Flow Tube With Titanium Elements		Titanium Flow Tube With Titanium Elements		[mm]	[kg]	[kg]
		ANALOGUE	DIGITAL	ANALOGUE	DIGITAL	ANALOGUE	DIGITAL			
6-kW	27/9	E2I-V-6	E2ID-V-6	E2-V-6	E2D-V-6	E2P-V-6	E2PD-V-6	592		
9-kW	40/13	E2I-V-9	E2ID-V-9	E2-V-9	E2D-V-9	E2P-V-9	E2PD-V-9	592		
12-kW	53/18	E2I-V-12	E2ID-V-12	E2-V-12	E2D-V-12	E2P-V-12	E2PD-V-12	592		

380-415V 3 Phase	Load	Product Codes:						Dimension 'L'	Net Weight	Gross Weight
Power Output	[Amp]	Stainless Steel Flow Tube With Incoloy 825 Elements		Stainless Steel Flow Tube With Titanium Elements		Titanium Flow Tube With Titanium Elements		[mm]	[kg]	[kg]
		ANALOGUE	DIGITAL	ANALOGUE	DIGITAL	ANALOGUE	DIGITAL			
15-kW	22	E2I-3-15	E2ID-3-15	E2-3-15	E2D-3-15	E2P-3-15	E2PD-3-15	592		
18-kW	26	E2I-3-18	E2ID-3-18	E2-3-18	E2D-3-18	E2P-3-18	E2PD-3-18	592		
24-kW	35	E2I-3-24	E2ID-3-24	E2-3-24	E2D-3-24	E2P-3-24	E2PD-3-24	592		

220-230V 3 Phase	Load	Product Codes:						Dimension 'L'	Net Weight	Gross Weight
Power Output	[Amp]	Stainless Steel Flow Tube With Incoloy 825 Elements		Stainless Steel Flow Tube With Titanium Elements		Titanium Flow Tube With Titanium Elements		[mm]	[kg]	[kg]
		ANALOGUE	DIGITAL	ANALOGUE	DIGITAL	ANALOGUE	DIGITAL			
6-kW	15	E2I-3-6-D	E2ID-3-6-D	E2-3-6-D	E2D-3-6-D	E2P-3-6-D	E2PD-3-6-D	592		
9-kW	23	E2I-3-9-D	E2ID-3-9-D	E2-3-9-D	E2D-3-9-D	E2P-3-9-D	E2PD-3-9-D	592		
12-kW	30	E2I-3-12-D	E2ID-3-12-D	E2-3-12-D	E2D-3-12-D	E2P-3-12-D	E2PD-3-12-D	592		
15-kW	38	E2I-3-15-D	E2ID-3-15-D	E2-3-15-D	E2D-3-15-D	E2P-3-15-D	E2PD-3-15-D	592		
18-kW	46	E2I-3-18-D	E2ID-3-18-D	E2-3-18-D	E2D-3-18-D	E2P-3-18-D	E2PD-3-18-D	592		